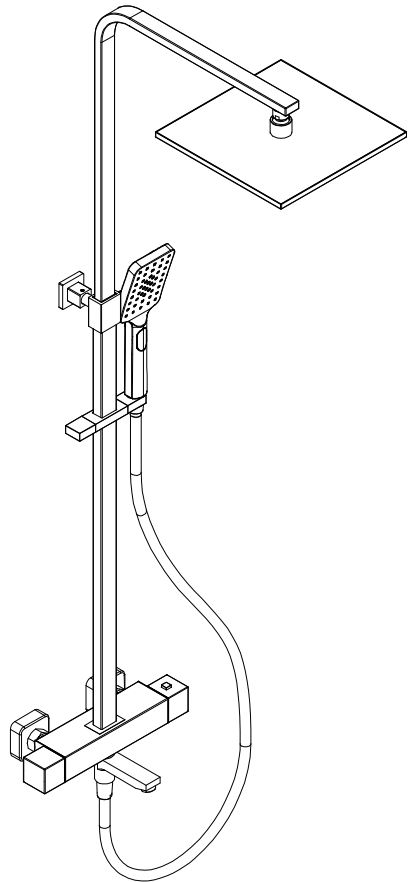
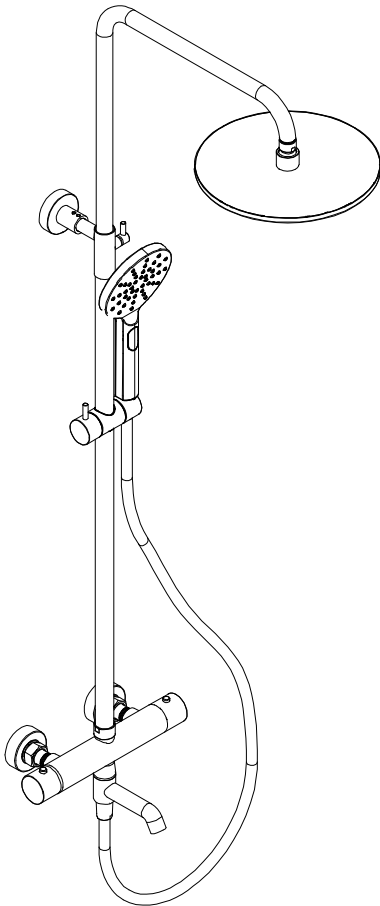
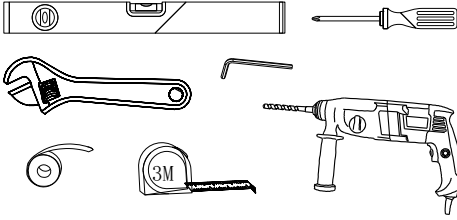


Thermostatic bath shower mixer system Installation



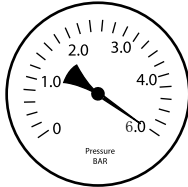
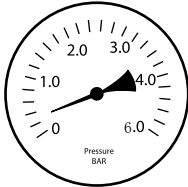


Specifications

Dynamic Water Pressure

Min: 0.5 bar

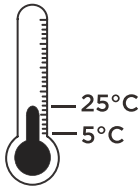
Max: 6.0 bar



Maximum Static Pressure: 10.0 bar

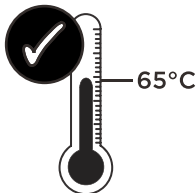
Inlet Water Temperature

Cold Water Supply



Min: 5°C Max: 25°C

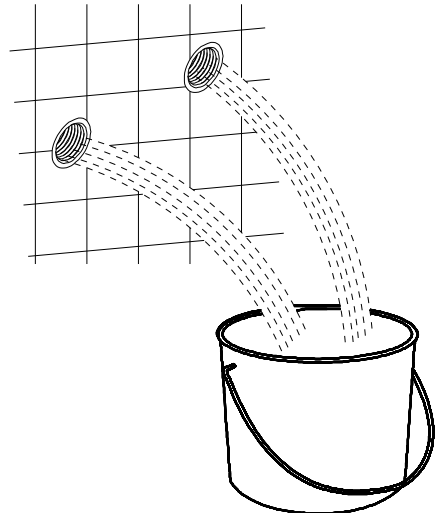
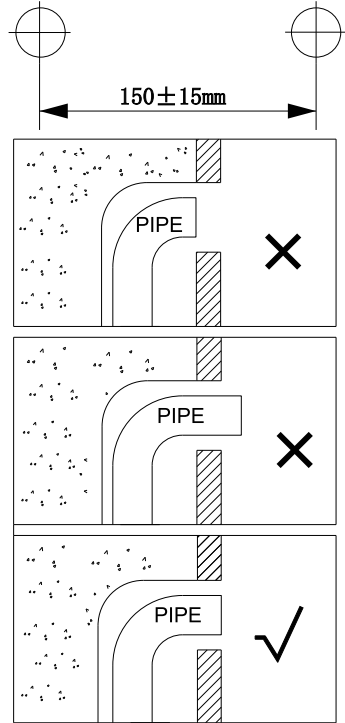
Hot Water Supply



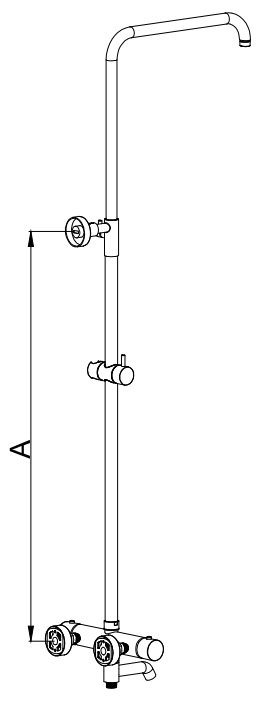
65°C Recommended

! IMPORTANT

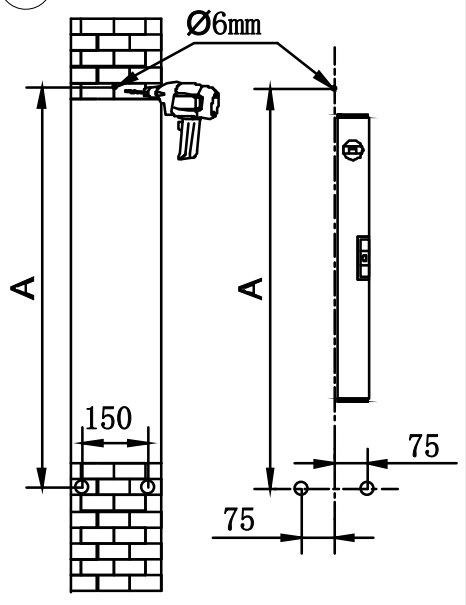
The inlet hot water must be at least 10°C above the required blend temperature.



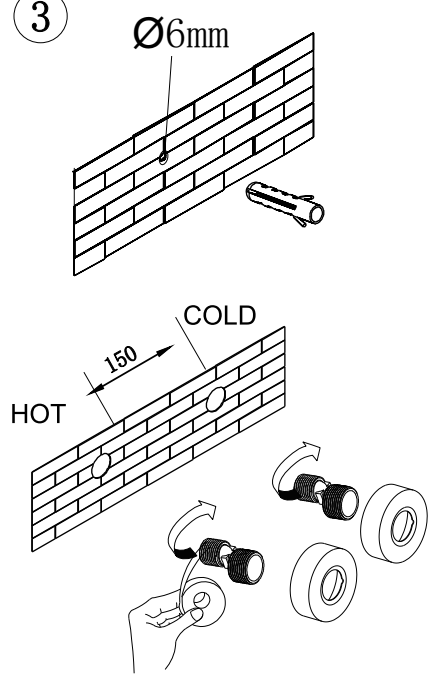
1



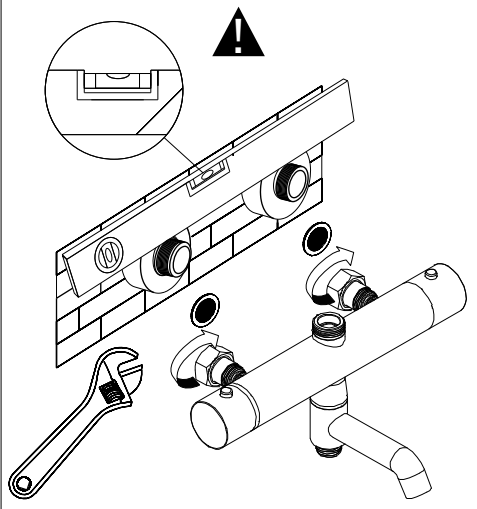
2



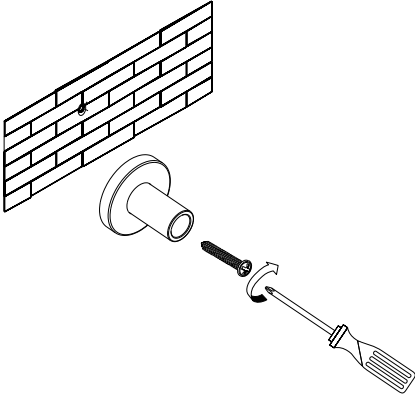
3



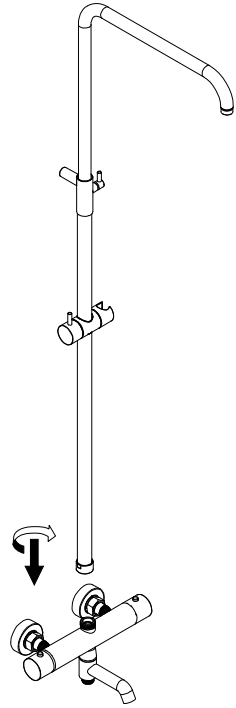
4



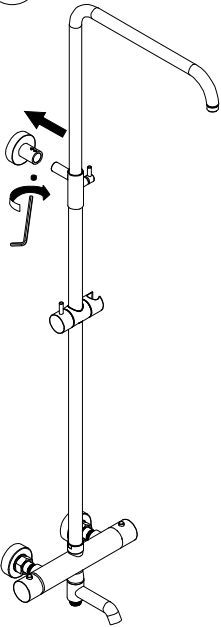
5



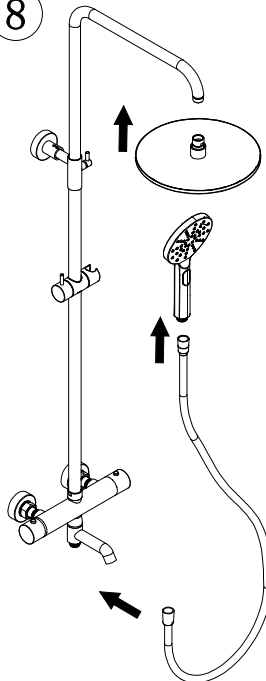
6



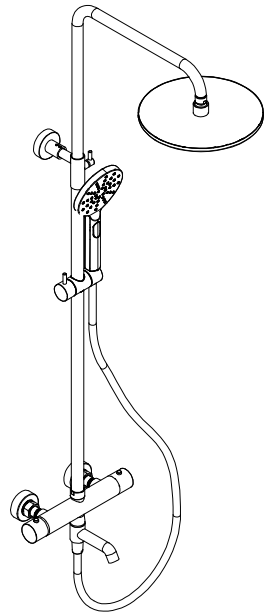
7



8

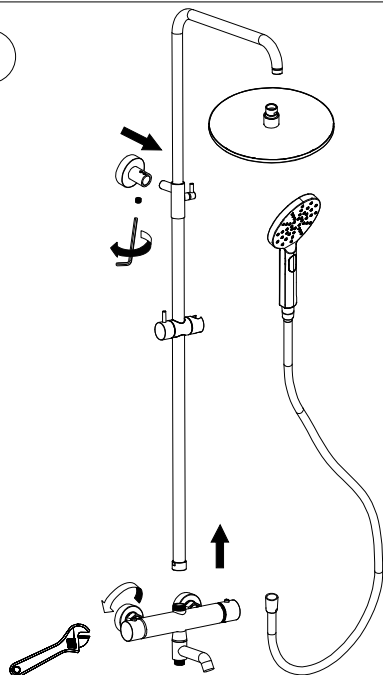


9

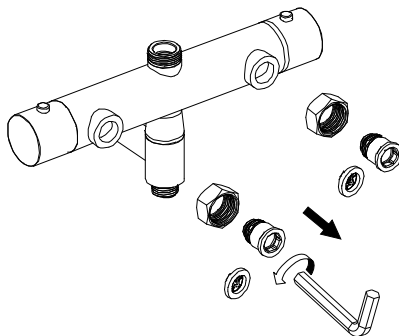


Maintenance-Cleaning check valve & mesh filter

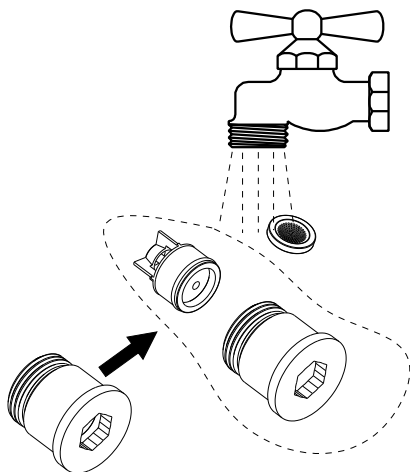
1



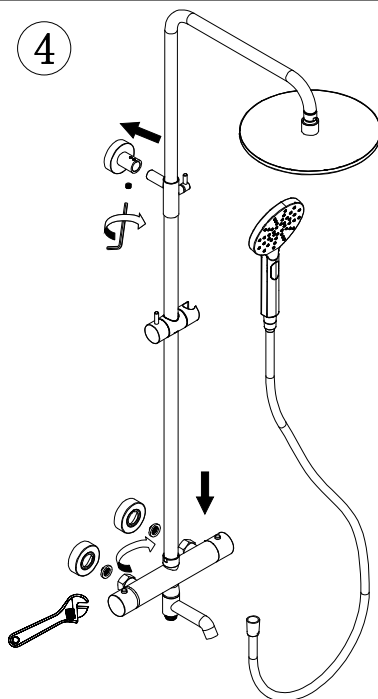
2



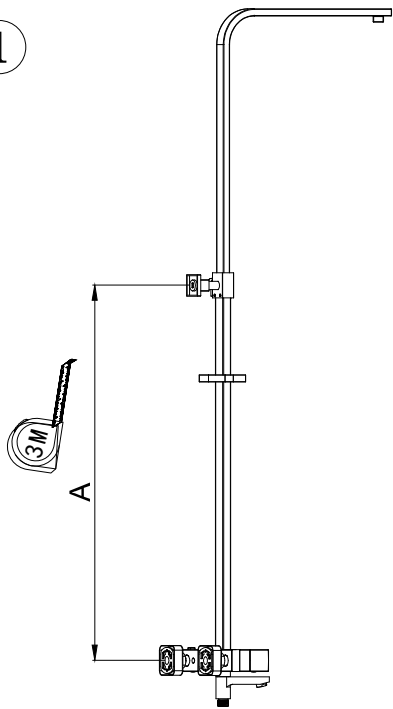
3



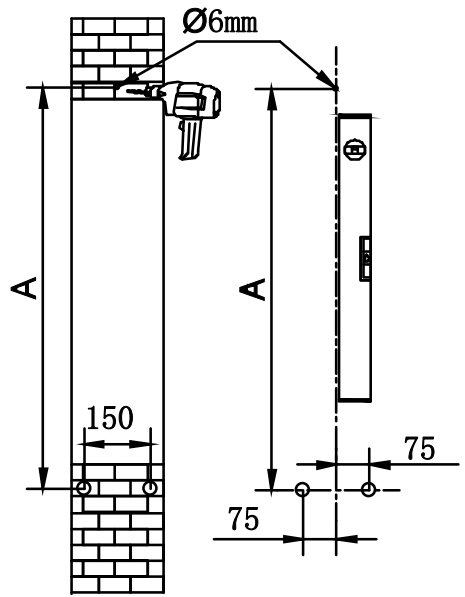
4



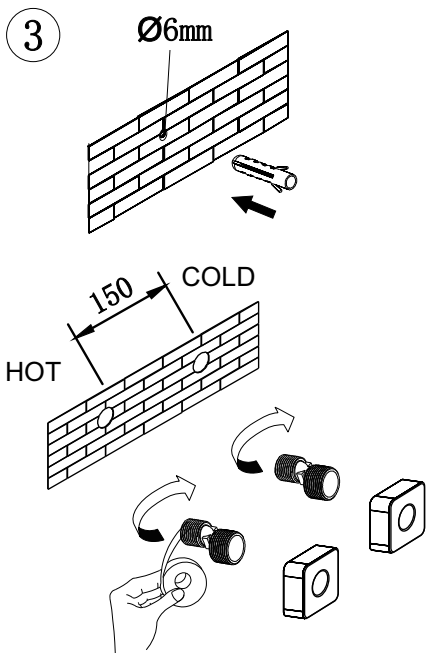
1



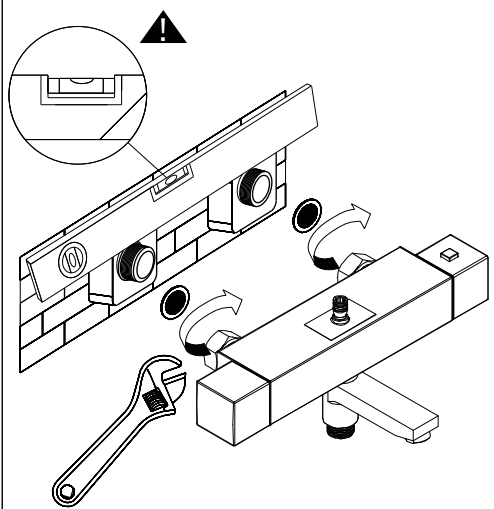
2



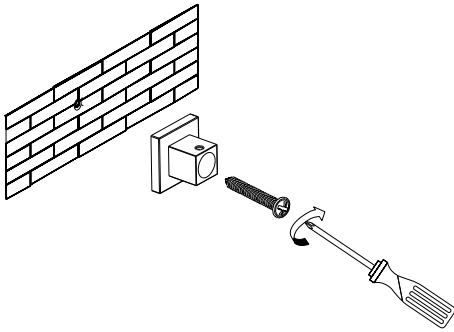
3



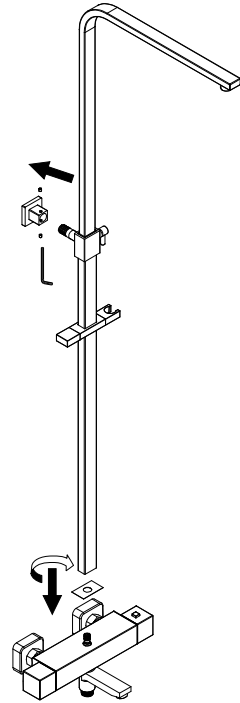
4



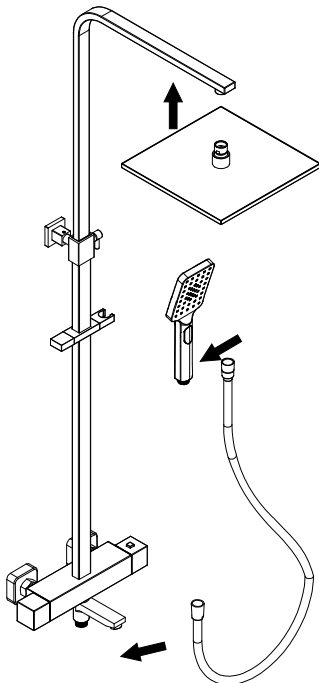
5



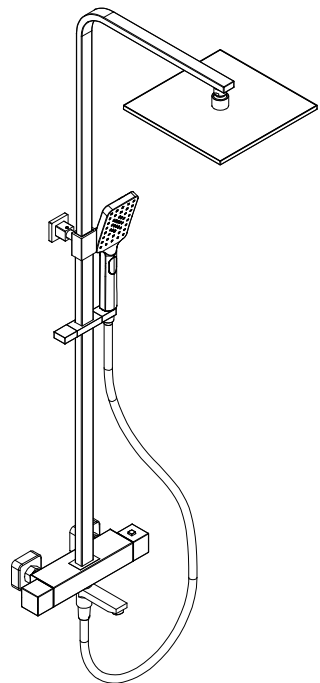
6



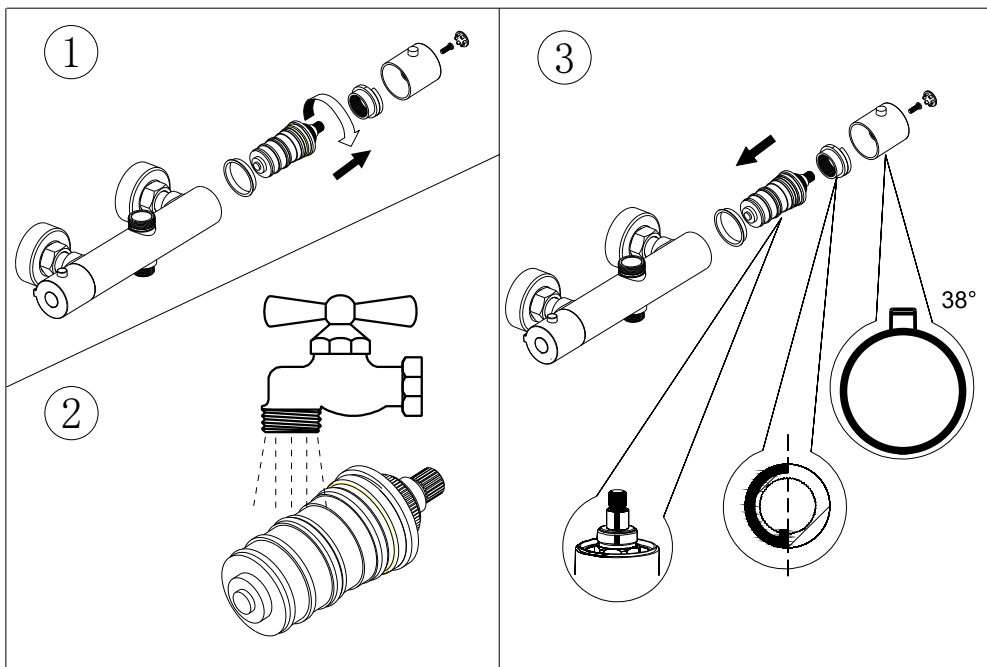
7



8



Maintenance-Cleaning Thermostatic Cartridge



TECHNICAL DATA

1. Standard Pressure: Dynamic water pressure Min: 0.5bar, Max:6.0bar
2. Cold Supply Temperature: 4-29°C;
Hot Supply Temperature: 55-58°C;
3. Thermostatic Temperature Range: 20-50°C.
4. Pre-set Temperature: 38°C.
5. Safety Mechanism: The mixed water will be immediately cut off when the cold supply is not effective.
6. Precise Temperature: It takes approximately 5 seconds to achieve the desired temperature. The actual working temperature will be within $\pm 2^{\circ}\text{C}$ of the temperature.
7. Temperature Stability: The outlet temperature variation will be within $\pm 2^{\circ}\text{C}$ when the inlet temperature is stable and the hot and cold pressure varies by 50%. The outlet temperature variation will be within $\pm 2^{\circ}\text{C}$ when the inlet pressure is stable and the hot supply temperature increases from 60°C to 75°C(5°C/min).

Cleaning

All surfaces should be cleaned using a clean damp cloth. No abrasive cleaning agents or materials should be used.